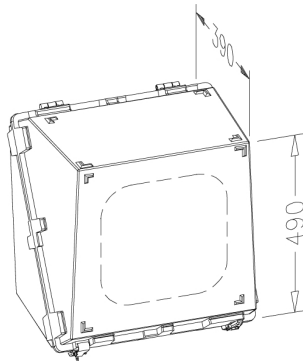


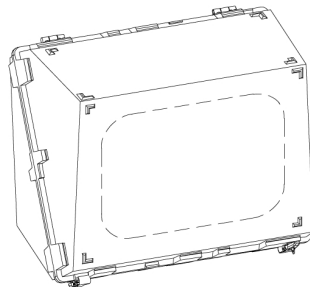
## DIABOX Mounting Orientation horizontal and vertical

### Mounting Orientation vertical „V“ (Standard)

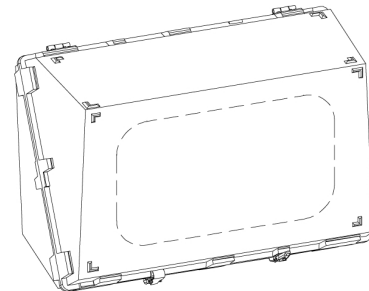
especially suited for high instruments or transmitters with measuring head at the top



DIABOX 87  
Window 290x290 mm



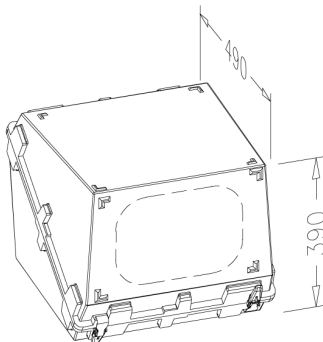
DIABOX 107  
Window 300x420 mm



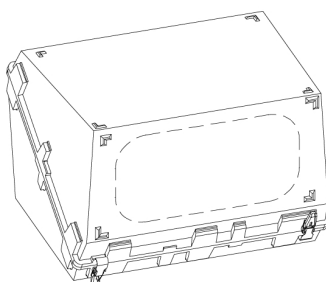
DIABOX 137  
Window 300x500 mm

### Mounting Orientation horizontal „H“

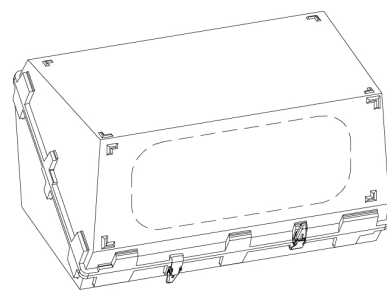
for all instruments requiring more mounting depth; especially for transmitters with the measuring head at the front



DIABOX 87  
Window 210x290 mm



DIABOX 107  
Window 210x420 mm



DIABOX 137  
Window 210x500 mm

**Standard:** acrylic glass or safety glass

**GO:** safety glass

**DIABOX 87**

Made of hot-pressed glassfibre reinforced polyester  
Continuous double seal (a mechanical one in the form of a tongue and groove and another in the form of an inserted EPDM seal)

Two-part construction, split diagonally, lower part for installation of equipment, upper part as lid.

Stackable design for space saving storage and transport

Approved by „Lloyds of Germany“

Hardly inflammable and self-extinguishing

Colour: light grey, RAL 7032 UV-resistant

Protection class IP 65 Weight approx 8 kg

Dimensions(approx.)

H x W x D

Mounting – vertical - 490 x 460 x 390 mm

Mounting – horizontal - 390 x 460 x 490 mm

Heat transition coefficient K	without window	with window
without Insulation	5,4 W/K	5,8 W/K
arctic.....	0,9 W/K	1,3 W/K

Accessories (see catalogue and price lists)

**Standard**

**SV4** 4 clasps in stainless steel

**Optional designs**

**SE2** 2 hinges and 2 clasps in stainless steel

**DF1** 1 lid propstay in galvanized steel, fitted

**DFVA1** 1 lid propstay in stainless steel, fitted

**DFGF1** 1 lid propstay, gas compression spring  
 **FAV** acrylic glass window, for mounting “vertical”  
290 x 290mm

**FAH** acrylic glass window, for mounting “horizontal”  
210 x 290mm

**FSV** safety glass window, for mounting “vertical”  
290 x 290mm

**FSH** safety glass window, for mounting “horizontal”  
210 x 290mm

**arctic Insulation**

PU-foam, not stackable

**arctic-PP** Polypropylen-lining (standard)

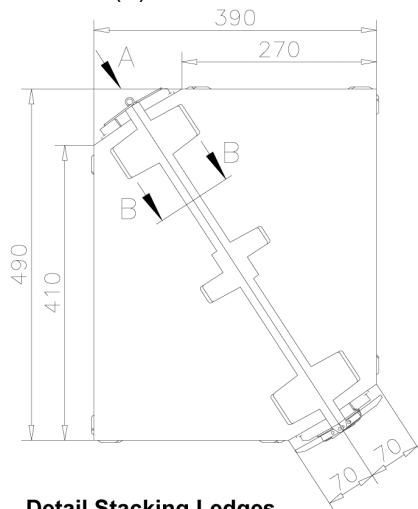
**arctic-Alu** Alu-foil lining (GO)

**GO** antistatic to avoid electrostatic charges according to EN IEC 60079-0

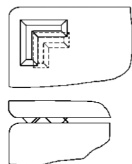
**increased Protection class**

**IP66/67**  **IP68**

View vertical (V)

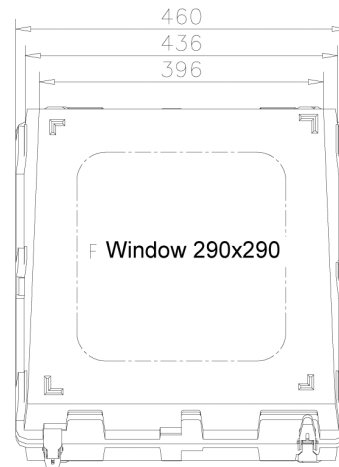
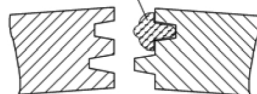


**Detail Stacking Ledges**

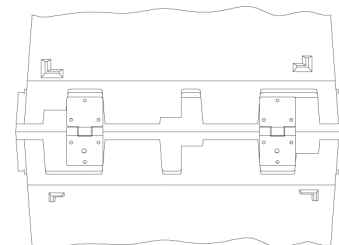


**Detail Sealing Strip**

EPDM



View A



Outside Dimensions of the Enclosure - 6mm  
= Inside Dimensions of the Enclosure

## DIABOX 107

Made of hot-pressed glassfibre reinforced polyester  
Continuous double seal (a mechanical one in the form of a tongue and groove and another in the form of an inserted EPDM seal)

Two-part construction, split diagonally, lower part for installation of equipment, upper part as lid.

Stackable design for space saving storage and transport

Approved by „Lloyds of Germany“

Hardly inflammable and self-extinguishing

Colour: light grey, RAL 7032 UV-resistant

Protection class IP 65 Weight approx 9 kg

Dimensions (approx.)

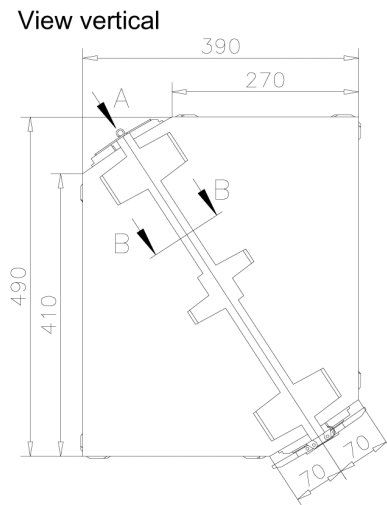
- H x W x D  
 Mounting – vertical - 490 x 585 x 390 mm  
 Mounting – horizontal - 390 x 585 x 490 mm

Heat transition coefficient K	without window	with window
without Insulation	6,5 W/K	7,1 W/K
arctic.....	1,1 W/K	1,7 W/K

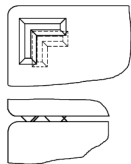
**Accessories** (see catalogue and price lists)

### Standard

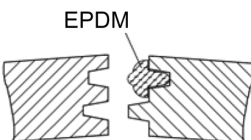
- SV4** 4 clasps in stainless steel



### Detail Stacking Ledges



### Detail Sealing Strip



## COFFRETS DE PROTECTION

### Optional designs

- SE2** 2 hinges and 2 clasps in stainless steel  
 **DF2** 2 lid propstay in galvanized steel, fitted  
 **DFVA2** 2 lid propstay in stainless steel, fitted  
 **DFGF2** 2 lid propstay, gas compression spring  
 **FAV** acrylic glass window, 300 x 420mm for mounting "vertical"  
 **FAH** acrylic glass window, 210 x 420 for mounting "horizontal"  
 **FSV** safety glass window, 300 x 420mm for mounting "vertical"  
 **FSH** safety glass window, 210 x 420 for mounting "horizontal"

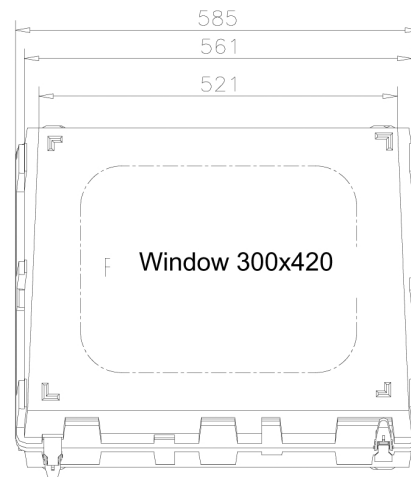
### arctic Insulation:

PU-foam, not stackable

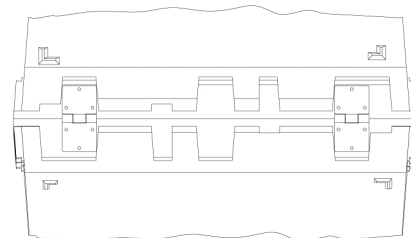
- arctic-PP** Polypropylen-lining (standard)  
 **arctic-Alu** Alu-foil lining (GO)  
 **GO** antistatic to avoid electrostatic charges according to EN IEC 60079-0

### increased Protection class

- IP66/67**  **IP68**



### View A



Outside Dimensions of the Enclosure - 6mm  
 = Inside Dimensions of the Enclosure

**DIABOX 137**

Made of hot-pressed glassfibre reinforced polyester  
Continuous double seal (a mechanical one in the form of a tongue and groove and another in the form of an inserted EPDM seal)

Two-part construction, split diagonally, lower part for installation of equipment, upper part as lid.

Stackable design for space saving storage and transport  
Approved by „Lloyds of Germany“

Hardly inflammable and self-extinguishing

Colour: light grey, RAL 7032 UV-resistant

Protection class IP 65 Weight approx 10,8 kg

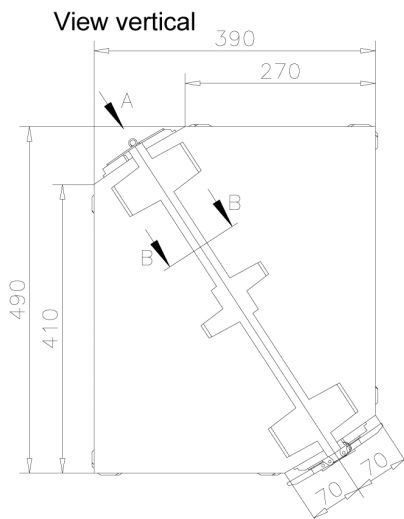
Dimensions (approx.) H x W x D  
 Mounting – vertical - 490 x 710 x 390 mm  
 Mounting – horizontal - 390 x 710 x 490 mm

Heat transition coefficient K	without window	with window
without Insulation	7,5 W/K	8,2 W/K
arctic.....	1,2 W/K	1,9 W/K

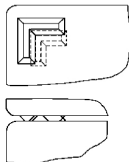
**Accessories** (see catalogue and price lists)

**Standard**

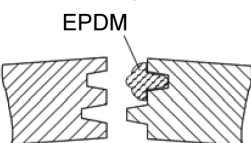
**SV4** 4 clasps in stainless steel



**Detail Stacking Ledges**



**Detail Sealing Strip**



**Optional designs**

- SE2** 2 hinges and 2 clasps in stainless steel
- DF2** 2 lid propstay in galvanized steel, fitted
- DFVA2** 2 lid propstay in stainless steel, fitted
- DFGF2** 2 lid propstay, gas compression spring
- FAV** acrylic glass window, for mounting “vertical”
- FAH** acrylic glass window, for mounting “horizontal”
- FSV** safety glass window, for mounting “vertical”
- FSH** safety glass window, for mounting “horizontal”

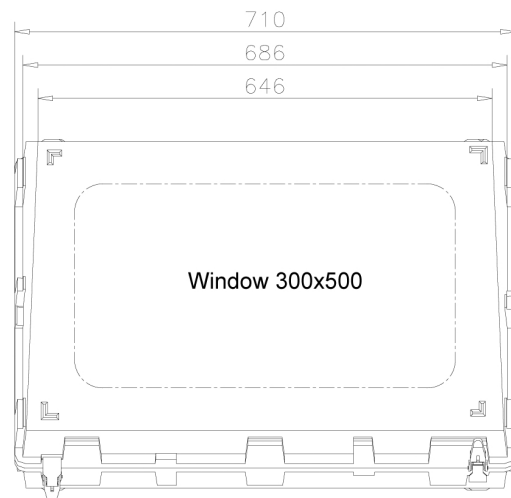
**arctic Insulation**

PU-foam, not stackable

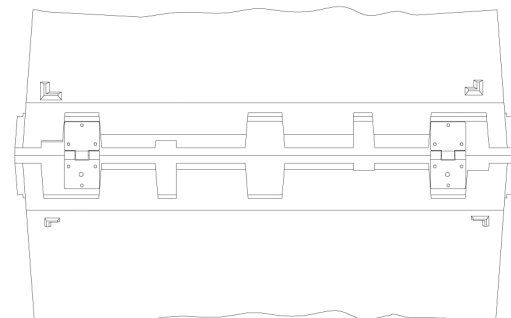
- arctic-PP** Polypropylene-lining (standard)
- arctic-Alu** Alu-foil lining (for GO)
- GO** antistatic to avoid electrostatic charges according to EN IEC 60079-0

**increased Protection class**

- IP66/67**  **IP68**



View A



Outside Dimensions of the Enclosure - 6mm  
= Inside Dimensions of the Enclosure

DIABOX Typical Installations

1 Application

Due to the diagonal split, the DIABOXES are particularly well suited for bottom or rear wall mounting of instruments and equipment, as shown in the following examples.

2 Special Features

Mounting accessories, manifolds and heating elements, specially designed for the Diabox series, allow for the use of a variety of standard installations ("SAFE LINKS") that are pre-installed at the factory.

There is also the possibility of providing individually designed mounting solutions, suited for the customer's specific application.

The large variety of components in the mounting system leaves nothing to be desired.

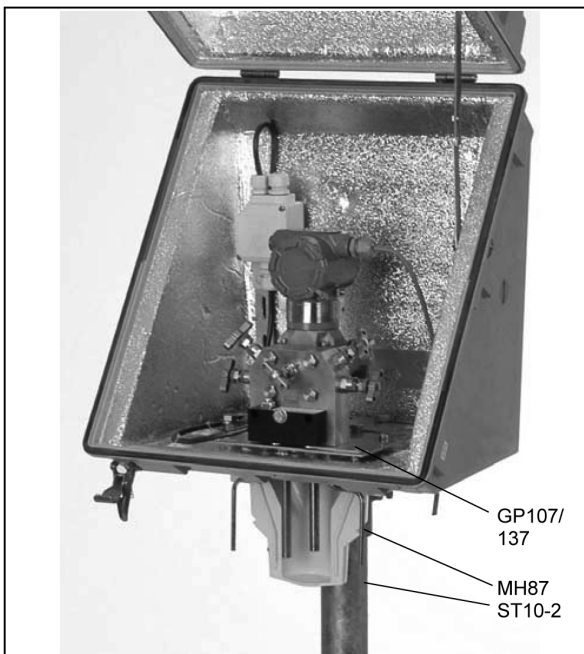
For a detailed description of the various mounting components available please refer to data sheet Kd282-x.

Even though the most varied mounting applications are possible, we recommend to use our factory pre-installed "SAFE LINKS", which may help to avoid errors in ordering and product configuration.

For further details on INTERTEC SAFE LINKS see catalogue section "SAFE LINK Complete Solutions for Standardised Instrument Mounting".

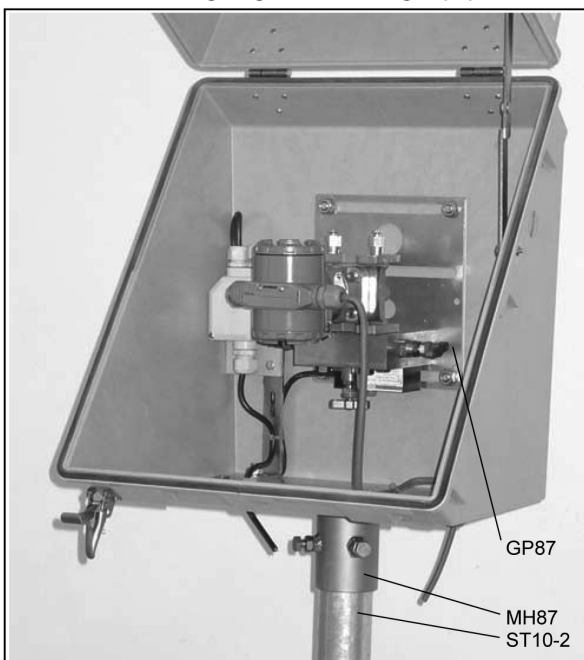
Application No. 1

Bottom mounting of fluid measuring equipment



Application No. 2

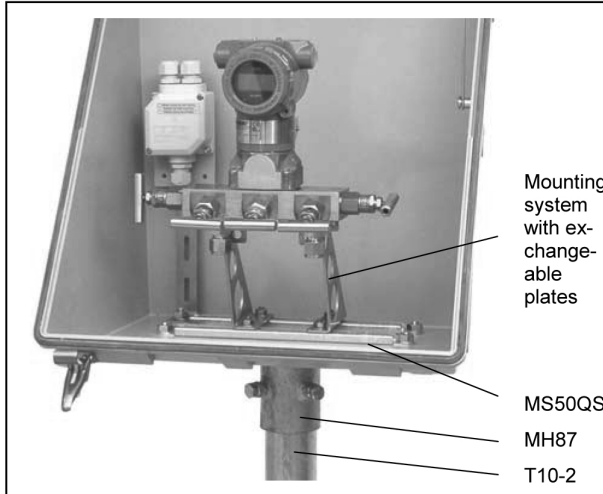
Rear wall mounting of gas measuring equipment



DIABOX Typical Installations

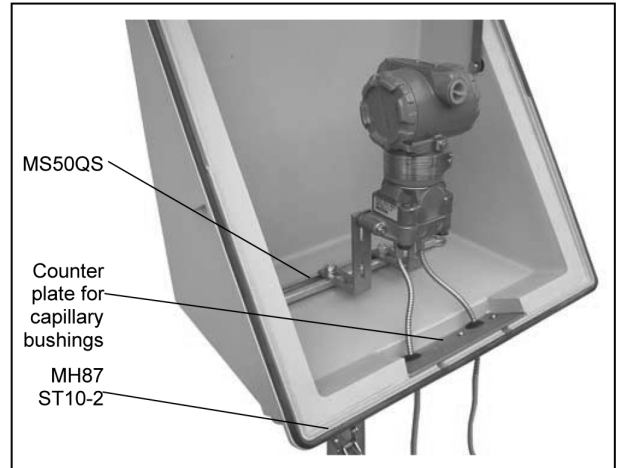
**Application No. 3**

Installation with transmitter and coplanar manifold mounted to an installation system with exchangeable plate.



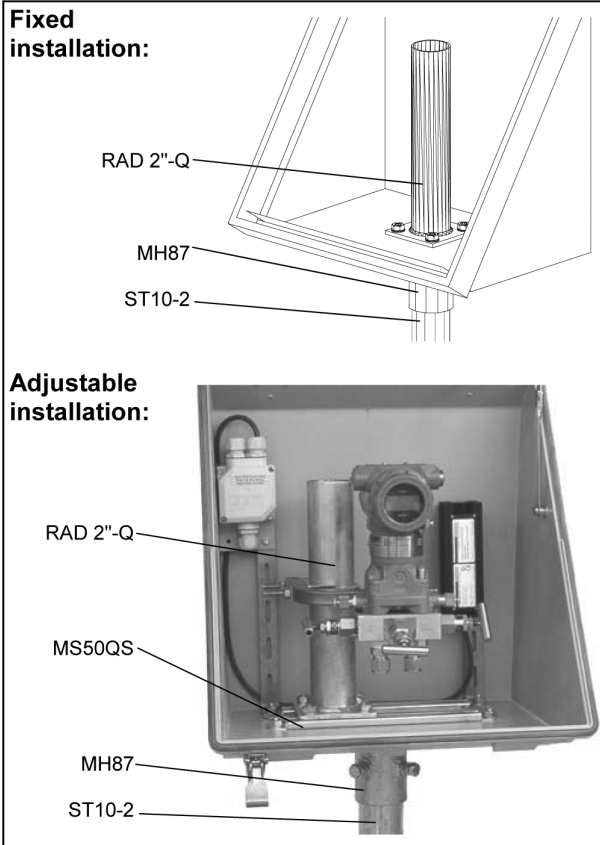
**Application No. 5**

Installation with Capillary Transmitter



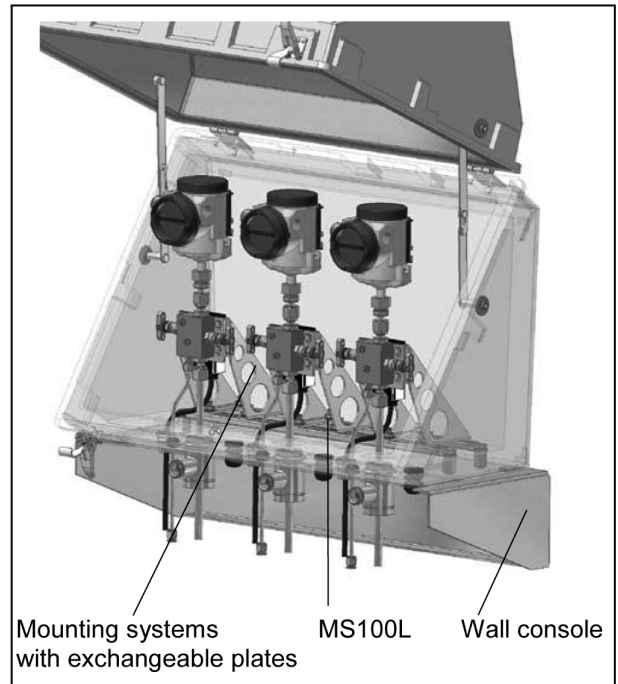
**Application No. 4**

Installation with transmitter and coplanar manifold mounted to a pipe adapter



**Application No. 6**

Multiple installation in DIABOX 137

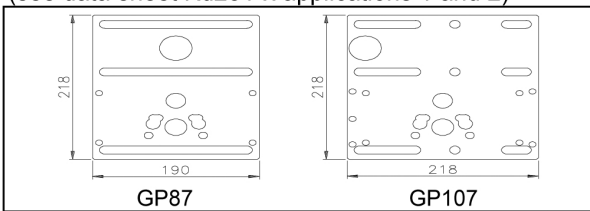


DIABOX Internal Mounting Accessories

1 Base Plate GP...

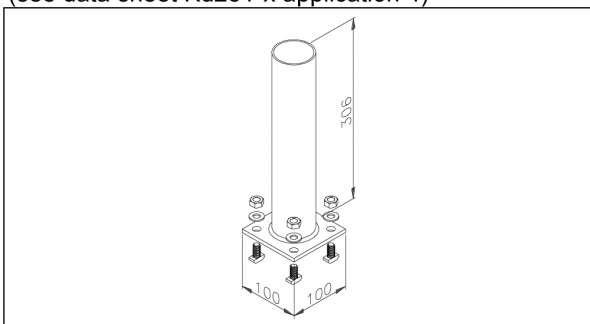
The base plates are specifically designed to accommodate bottom-mounted manifolds (2-way/3-way/5-way manifolds).

Holes drilled in the plates also allow for the installation of external mounting supports Type MH as well as of the ISOPASS insulating adapters. The base plates are suited for bottom or rear wall mounting. (see data sheet Kd281-x applications 1 and 2)



2 Pipe Adapter RAD 2"-Q with square base plate

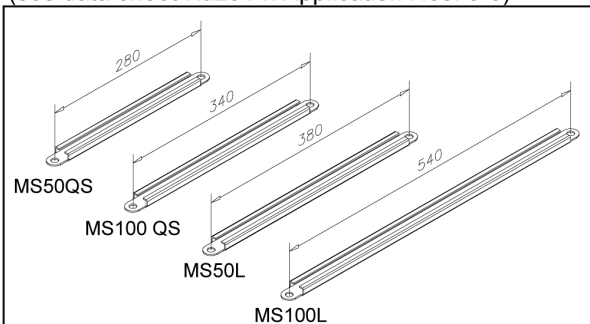
The pipe adapter is suited for the installation of all types of transmitters and instruments to be mounted on a 2" pipe. (see data sheet Kd281-x application 4)



3 Mounting Rails MS...

Mounting rails allow for movable installations inside the enclosure.

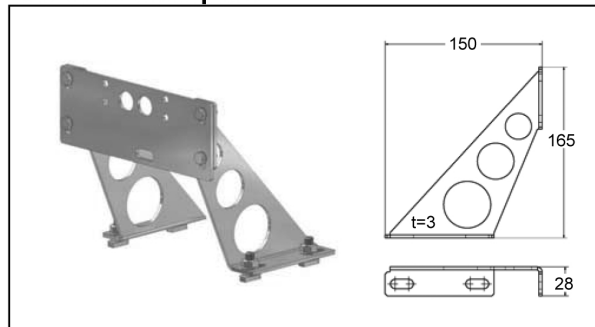
(see data sheet Kd281-x Application Nos. 3-6)



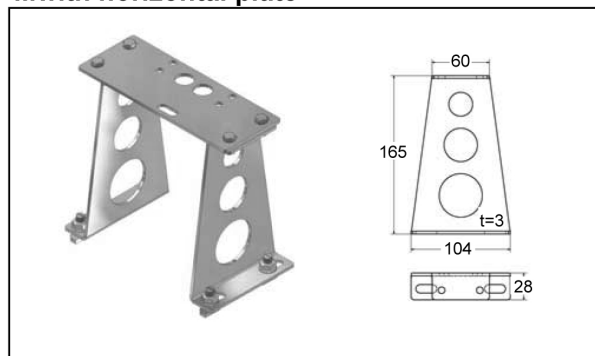
4 Mounting System with Exchangeable Plate MSW

Exchangeable plate for 2-way, 3-way and 5-way manifolds, capillary transmitters etc. (see data sheet Kd281-x application 3 and 6)

...with vertical plate



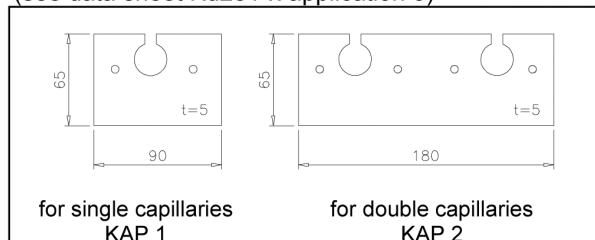
...with horizontal plate



5 Backing Plate for Capillary Bushings KAP..

DIABOXES with capillary slits tend to become unstable at the angled edges. The backer plate provides reinforcement. Material: stainless steel. Available for capillaries 6-12 mm.

(see data sheet Kd281-x application 5)

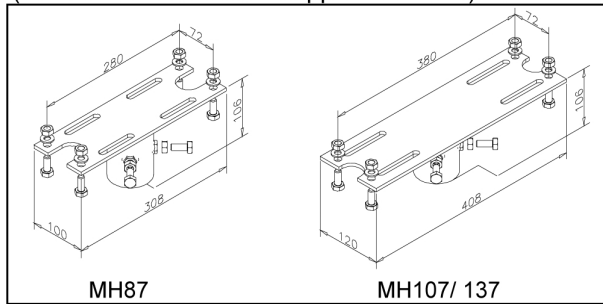


**DIABOX External Mounting Accessories**

**1 Mounting Support MH ...**

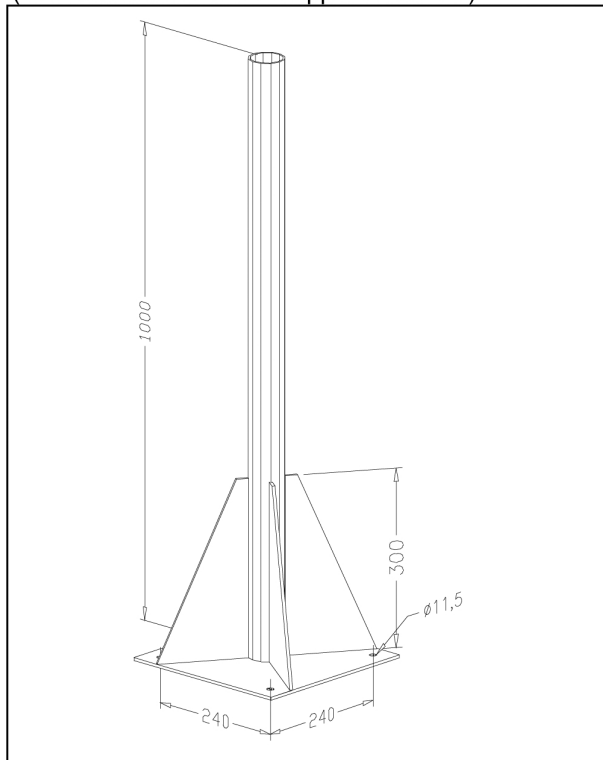
The mounting support plate, designed to be installed at the bottom of the DIABOX, is equipped with a mounting hub for mounting the DIABOX to a 2" pipe stand. The slotted holes allow for a variety of installations inside the DIABOX.

(see data sheet Kd281-x applications 1-5)



**2 Pipe Stand St10-2**

(see data sheet Kd281-x applications 1-5)

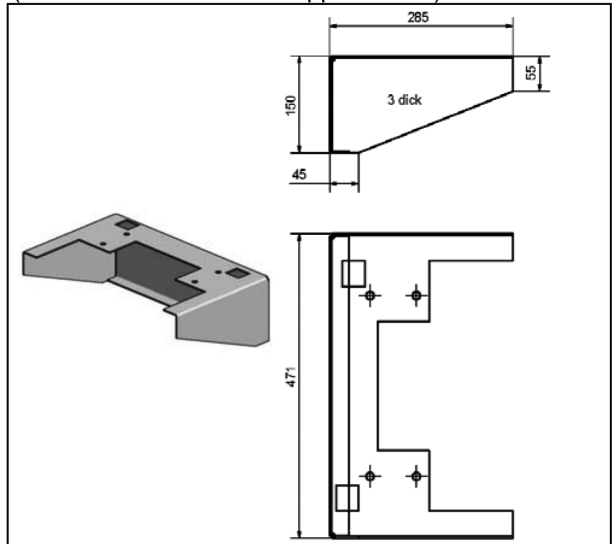


**3 Wall Bracket WS...**

**WS87**

for DIABOX 87

(see data sheet Kd281-x application 6)



**WS187**

for DIABOX 137

